

FLOW



AIR FLOW A2G-20 SERIES

DESCRIPTION

The Wika A2G-20 Series air velocity transmitter is jumper selectable and features a separate signal out for temperature, three velocity ranges, and one temperature range. Applications include supply and exhaust fan tracking; clean room air; lab air handling and paint booth supply air. For both the air velocity (FPM) and for the temperature signals, the user can select either of two outputs (0-10V or 4-20 mA). Additional options include a digital display and a SPDT relay. The digital display shows both the measured value and the relay settings.

NEW!



A2G-20 Series



6

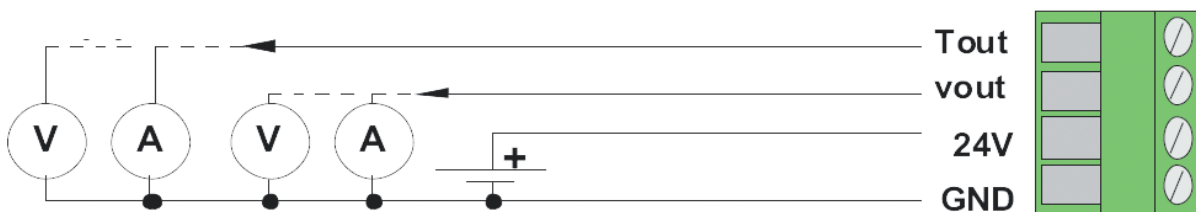
FEATURES

- Three ranges; jumper selectable: 0 to 390 FPM, 0 to 1970 FPM, 0 to 3940 FPM
- One temperature range 32° to 122°F (0° to 50°C)
- User selectable output signals: 0-10V or 4-20 mA
- Duct installation

SPECIFICATIONS

Supply Voltage	AC/DC 24V ± 10%	Accuracy (Temperature)	>1.2°F (<0.5°C)
Output Signal (Air Velocity)	0-10 V (linear to FPM), load min or 4-20 mA (linear to FPM), load max	Velocity Range (Air)	
Output Signal (Temperature)	0-10 V (linear to °F), load min 1kΩ or 4-20 mA (linear to °F), load max 400Ω	0 to 390 FPM	2 m/s range selectable by jumper
Wiring	PG-gland M16	0 to 1,970 FPM	10 m/s range selectable by jumper
Accuracy (Air)		0 to 3940 FPM	20 m/s range selectable by jumper
0 to 390 FPM	<19.6 FPM (±5%)	Temperature Range	32° to 122°F (0° to 50°C)
0 to 1,970 FPM	<98.1 FPM (±5%)	Operating Temperature	32° to 122°F (0° to 50°C), max. 85% rH
0 to 3940 FPM	<196.2 FPM (±5%)	Enclosure Rating	Plastic (ABS) Nema 3
		Approvals	RoHS, WEEE
		Warranty	1 year

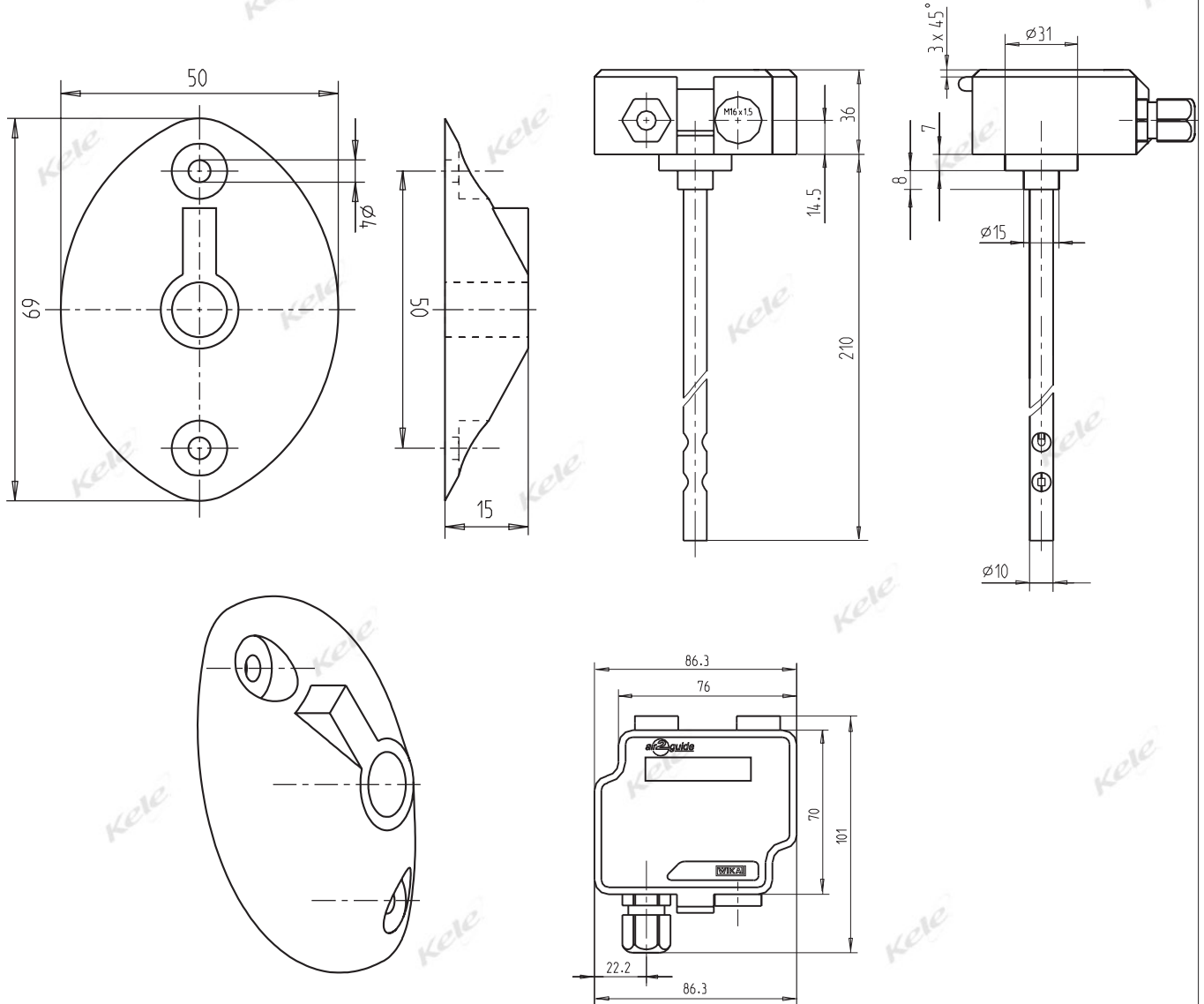
WIRING



NEW!



DIMENSIONS



6

FLOW

ORDERING INFORMATION

MODEL

A2G20-V0-3X-1AAF-M-Z
A2G20-V0-3X-1AAF-M-A
A2G20-V0-3X-1AAF-M-B

DESCRIPTION

Air velocity transmitter, no digital display and no relay
 Air velocity transmitter with digital display, no relay
 Air velocity transmitter with digital display and SPDT relay

DCPA-1.2
691-K0A
DCP-1.5-W

RELATED PRODUCTS

Power supply, 120 VAC IN to 24 VAC/24 VDC OUT
 Control transformer, 120:24 VAC, 40 VA, Class 2
 Power supply, 24 VAC IN to 24 VDC OUT

PAGE
994
979
995